



- Digital compatible
- Advanced technology
- Excellent imaging results

Intraoral X-ray

# GX-770™

## Advanced technology

By incorporating the latest in microprocessor technology, the accuracy of exposure times and X-ray output can be assured. The exposure time can be displayed in impulses or decimal settings. The GX-770 also incorporates a unique automatic line voltage compensation circuitry to provide 70 kVp output every time. This gives you consistent radiographic density under virtually any voltage condition.

Gendex manufactures the complete GX-770 system including the X-ray tube. By doing so, we can control the quality, accuracy and specifications of the tube. The focal spot on the GX-770 is only 0.6 mm as compared to 0.7 mm, 0.8 mm, or even 1.0 mm on some other units. The smaller the focal spot, the sharper the resolution. The GX-770 images provide the ideal combination of high contrast and sharp images.



## GX-LC optical positioning system

This optional accessory provides the operator with a focused beam of light to assist in the positioning of the X-ray tubehead. Integrated circuitry automatically terminates the light after a fixed period of time. The light beam allows the operator to easily visualize the center of the cone, thereby reducing the possibility of cone cutting the image. The GX-LC is installed by simply threading it on in place of the supplied 8 inch cone.



## Installation flexibility

With its long reach suspension arm and mounting flexibility, the GX-770 is ideal for a variety of installation configurations. This includes installing the system to have the tubehead pass between two operatories and having one X-ray system do the work of two! As important as the reach of the suspension arm is its stability. The all metal suspension arm of the GX-770 allows positioning the tubehead without any bouncing or after movement during the exposure.



## Remote exposure & digital compatible

To insure operator safety, it is often imperative that the operator leaves the operatory prior to taking the exposure. Gendex provides two ways to accomplish this. The lighted push button can be installed outside the operatory. Pressing the button will begin the exposure and a light will give an indication that the X-ray is being produced. If you wish to have the ability to also set the exposure time outside the room, a full feature remote station kit is available.

Whether using a CCD or storage phosphor digital imaging system, the GX-770 provides excellent results. Merely adjust the exposure time to the setting recommended by the digital system manufacturer. The wide range of exposure times offered (from 3 to 99 impulses) and the optional 12 inch focal length cone makes compatibility easy.



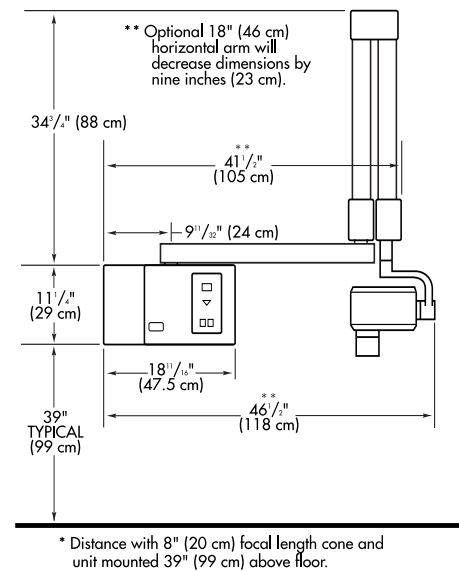
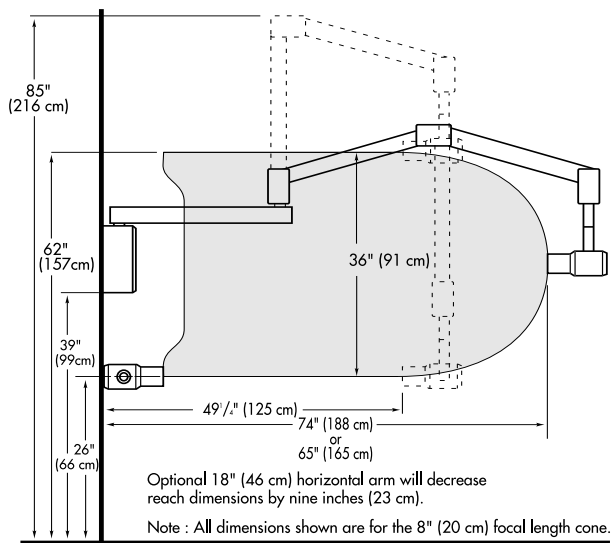
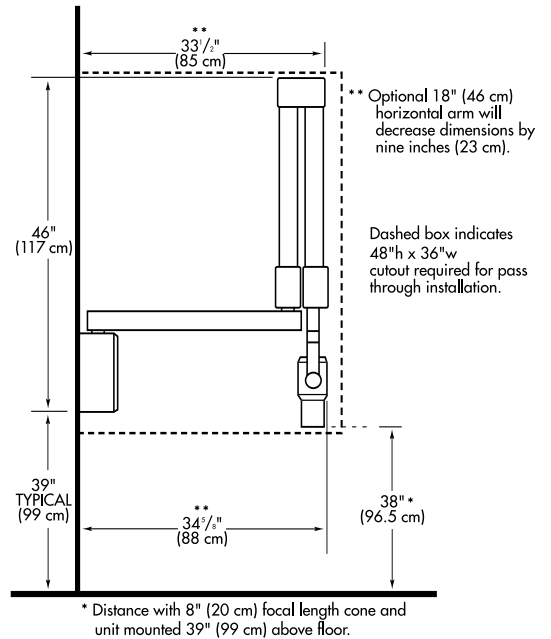
# Intraoral X-ray

## Technical specifications

- 70kVp, 7mA
- 0.6mm focal spot
- Line voltage 110-130, VAC 60 Hz
- Exposure time selections, 3 to 99 impulses (28 steps)
- Duty cycle – 1 exposure second per minute
- Focal length – standard 8 inch or 12 inch clear cone
- 2 year limited warranty

## Optional accessories

- A0771A GX-770 remote station kit
- A0772A 4x4 mount
- D0774A 12 inch focal length cone
- D0774B 8 inch focal length cone
- D0773LS Lighted remote exposure switch
- D0774LC GX-LC lighted 8 inch focal length cone



[www.gendex.com](http://www.gendex.com)



Gendex. Imaging Excellence.

KaVo Dental  
Gendex Dental Systems  
340 E. Main Street  
Lake Zurich, IL 60047  
1.888.275.5286  
Fax 1.847.550.6825